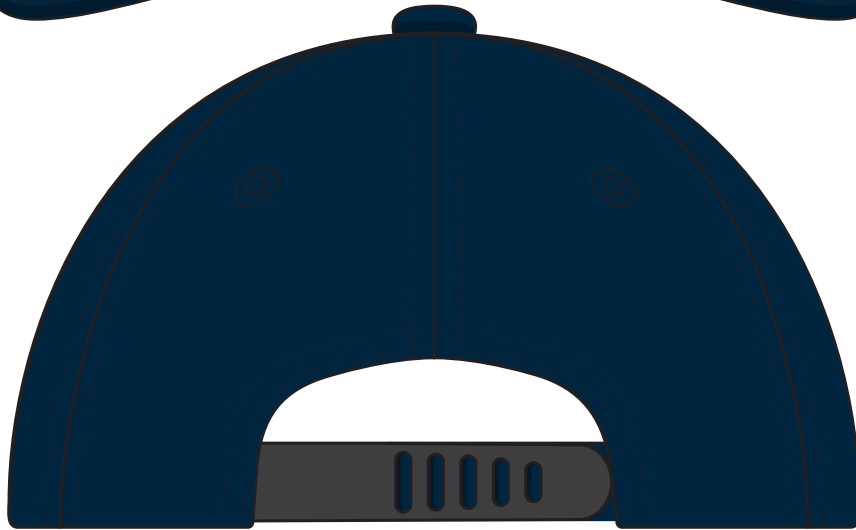
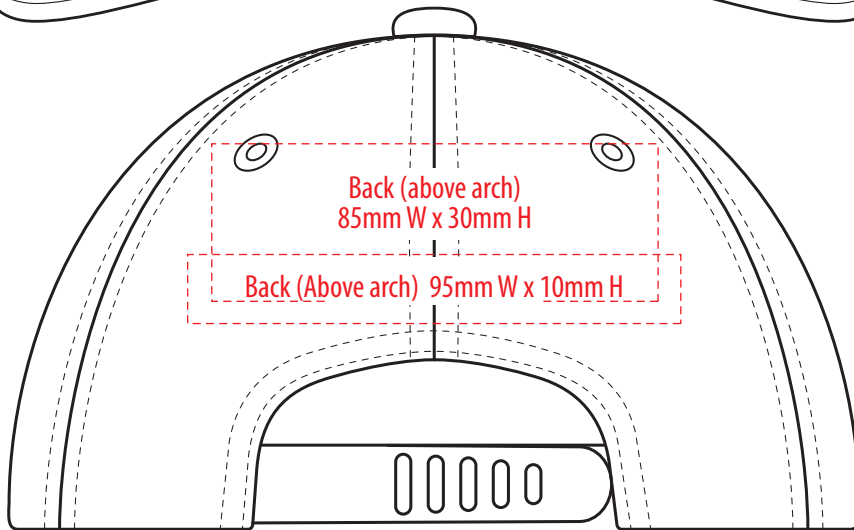
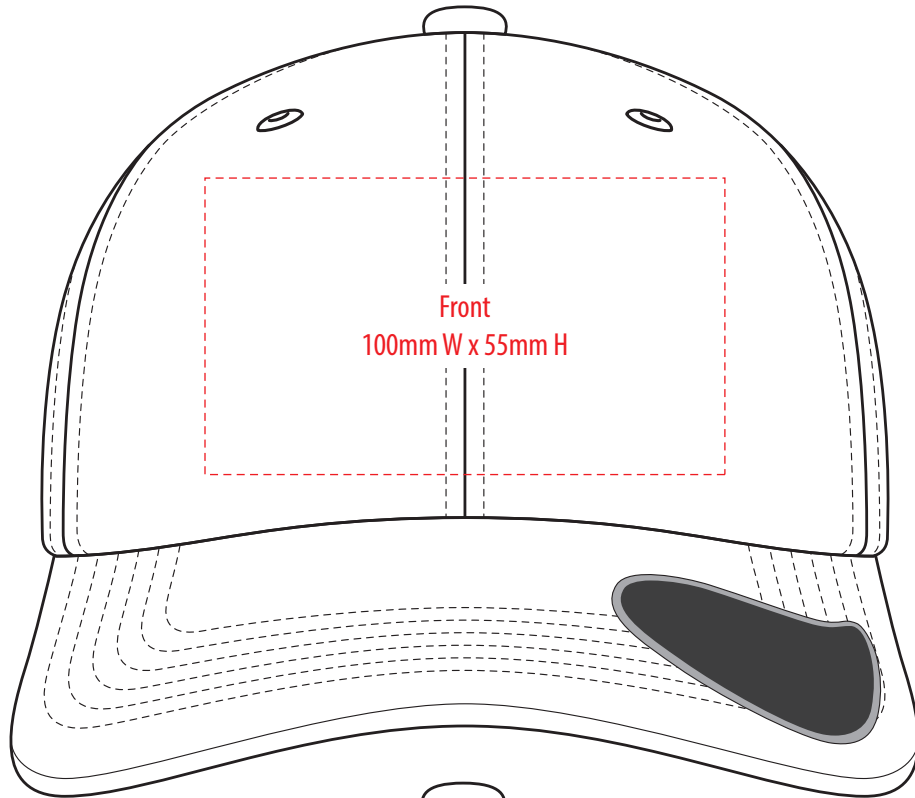


**A1050**



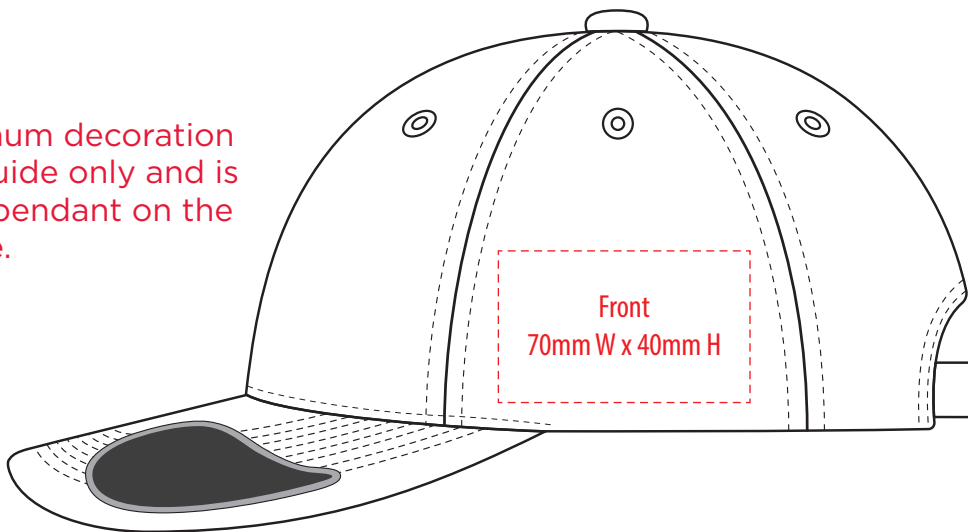
-----  
COLOUR

# A1050



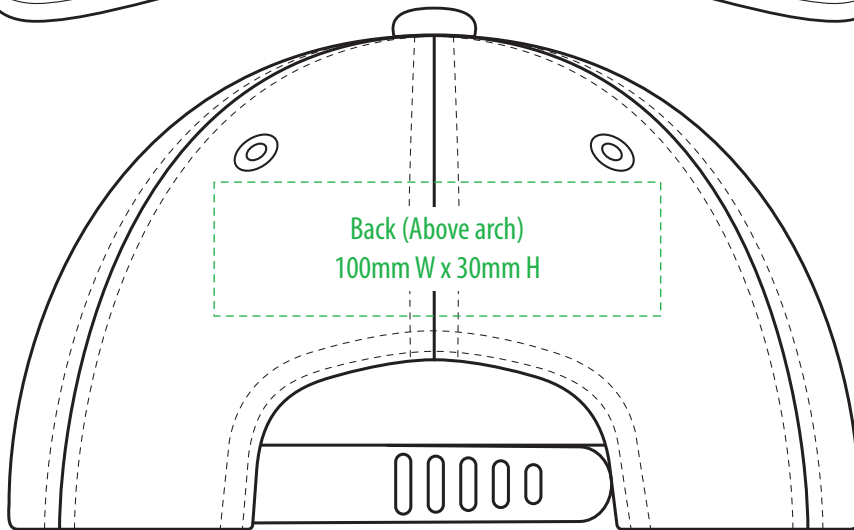
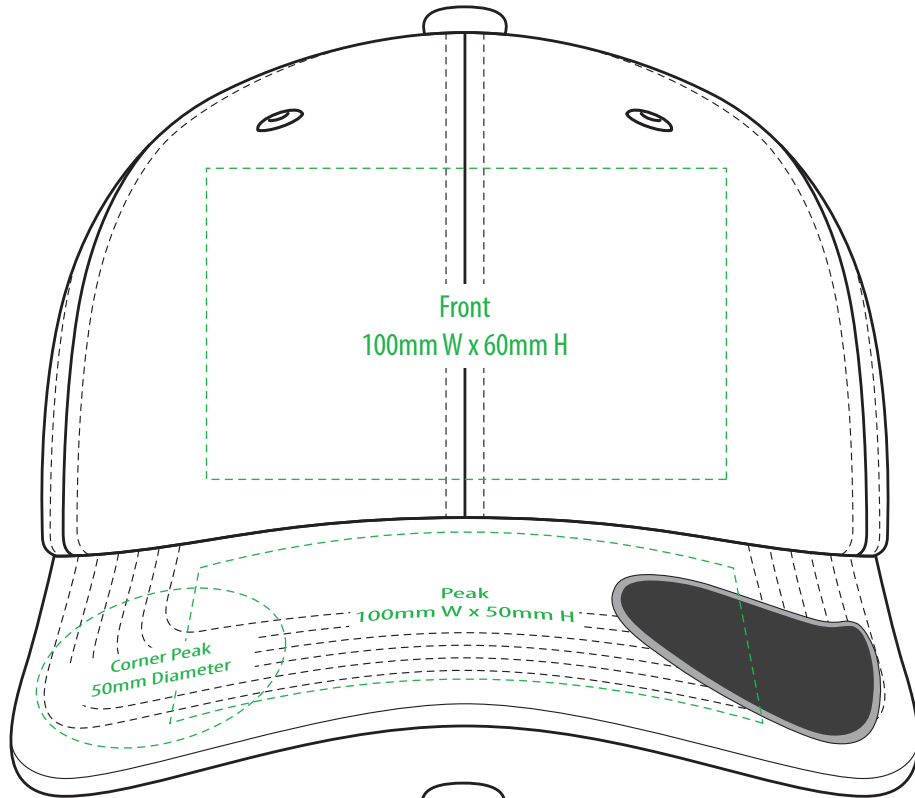
**NOTE:**

The maximum decoration area is a guide only and is greatly dependant on the logo shape.



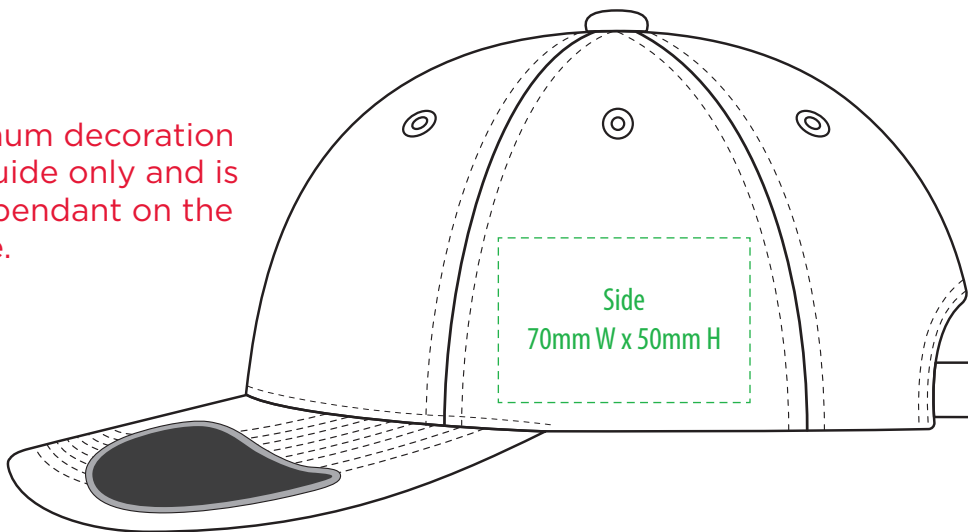
-----  
SUPASUB/SUPAETCH/SUPAFLEX

# A1050

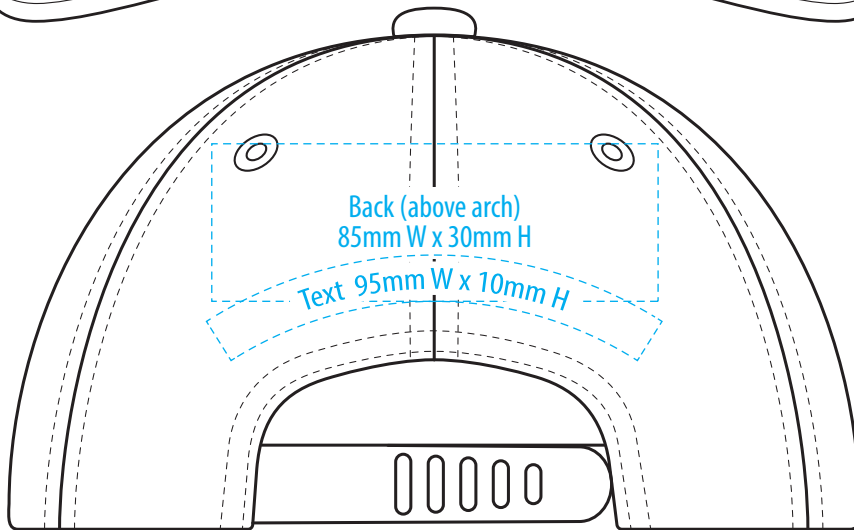
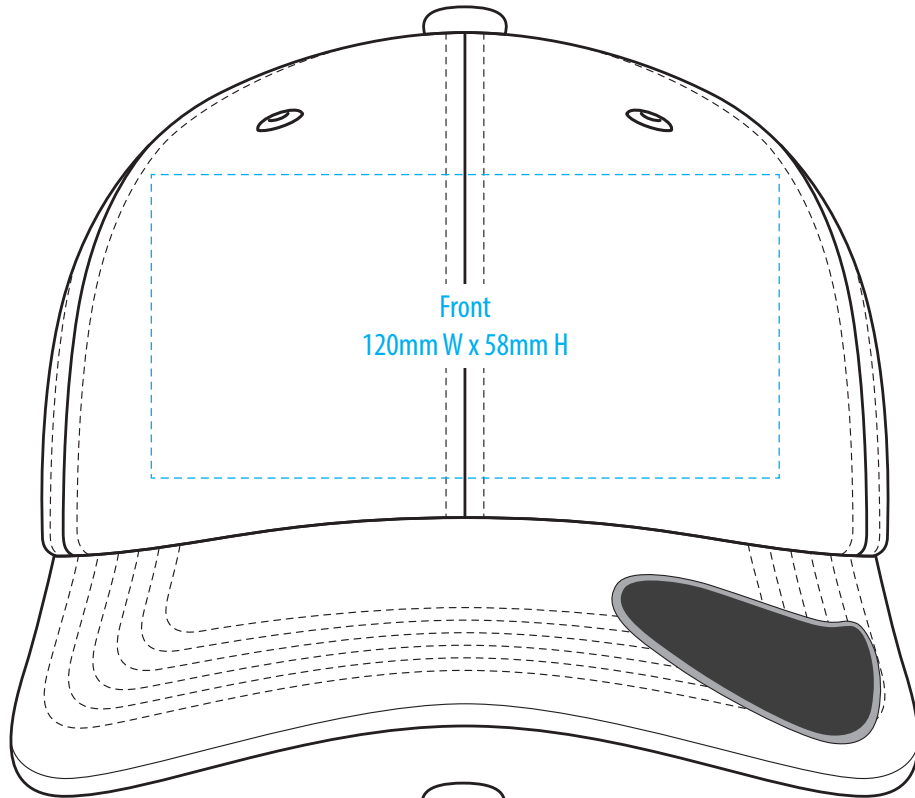


**NOTE:**

The maximum decoration area is a guide only and is greatly dependant on the logo shape.

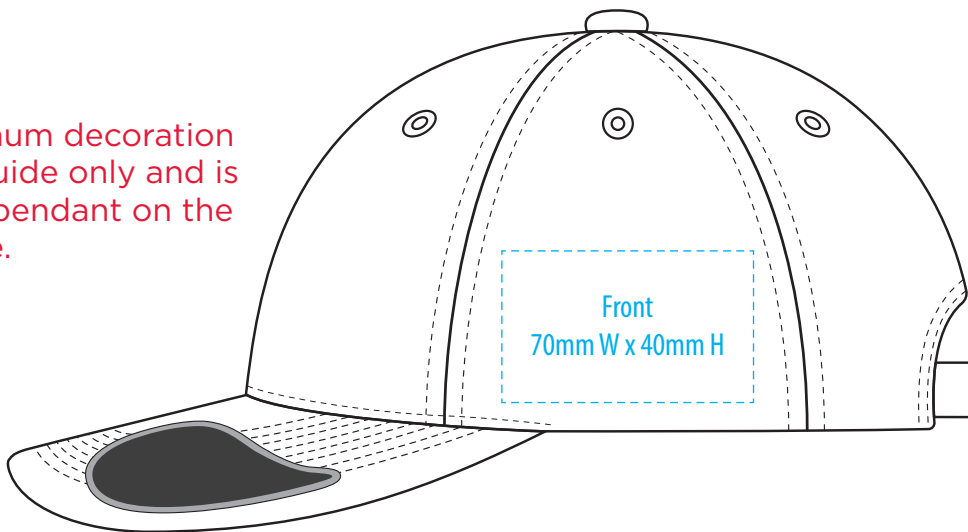


# A1050



**NOTE:**

The maximum decoration area is a guide only and is greatly dependant on the logo shape.



-----  
EMBROIDERY