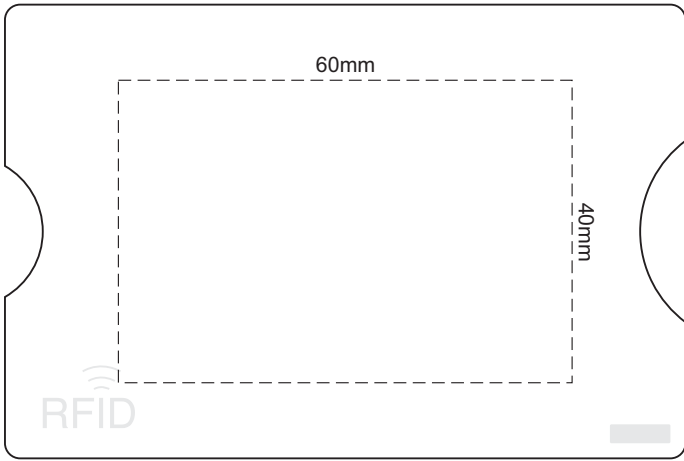
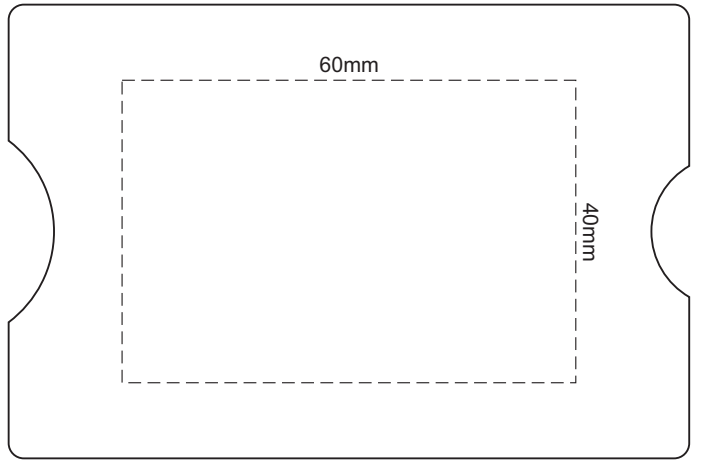


100% of Actual Size
Pad Print

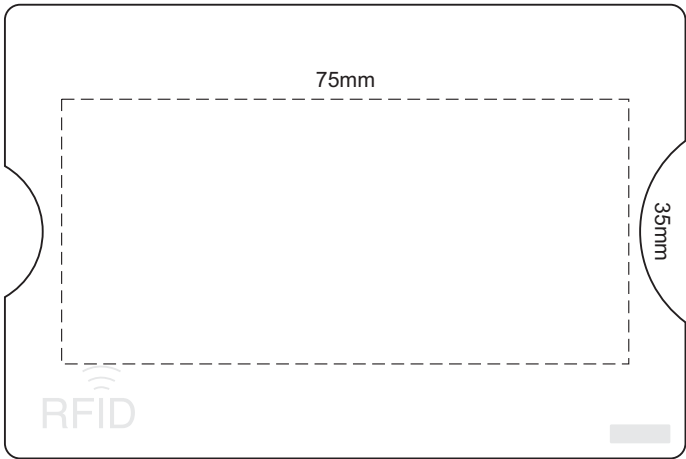


FRONT

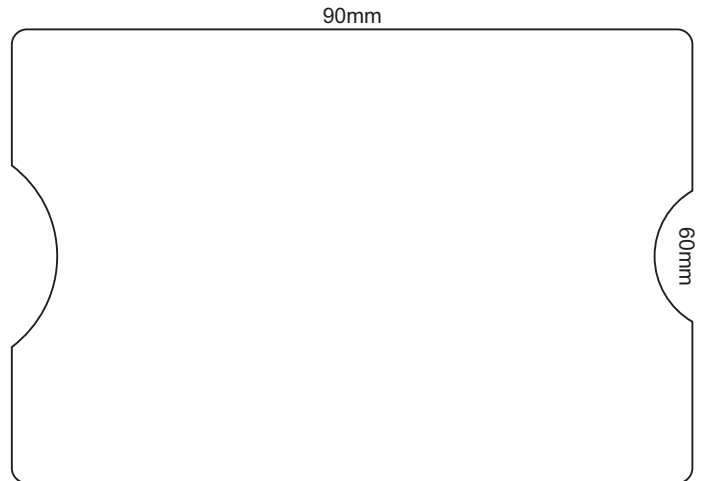


BACK

100% of Actual Size
Direct Digital



FRONT

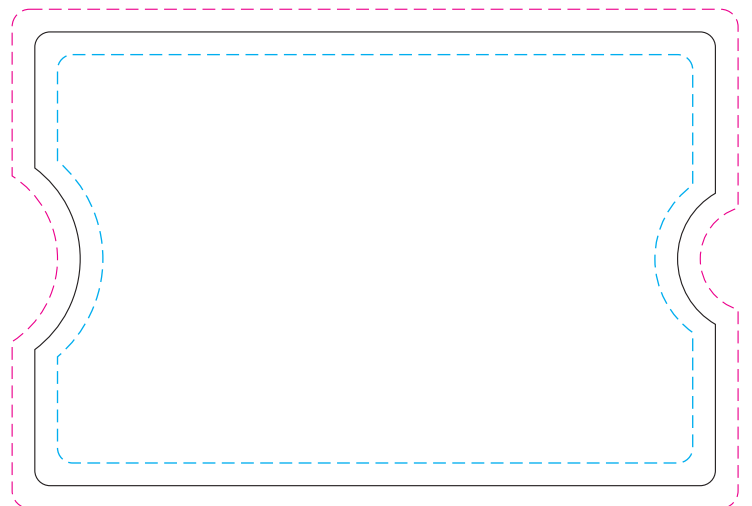


BACK

100% of Actual Size
Direct Digital



BACK



Blue Line = The SIGNIFICANT PRINT AREA

(Keep all critical images & text within this box)

Black Line = Maximum print area

Pink Line = Bleed off to here