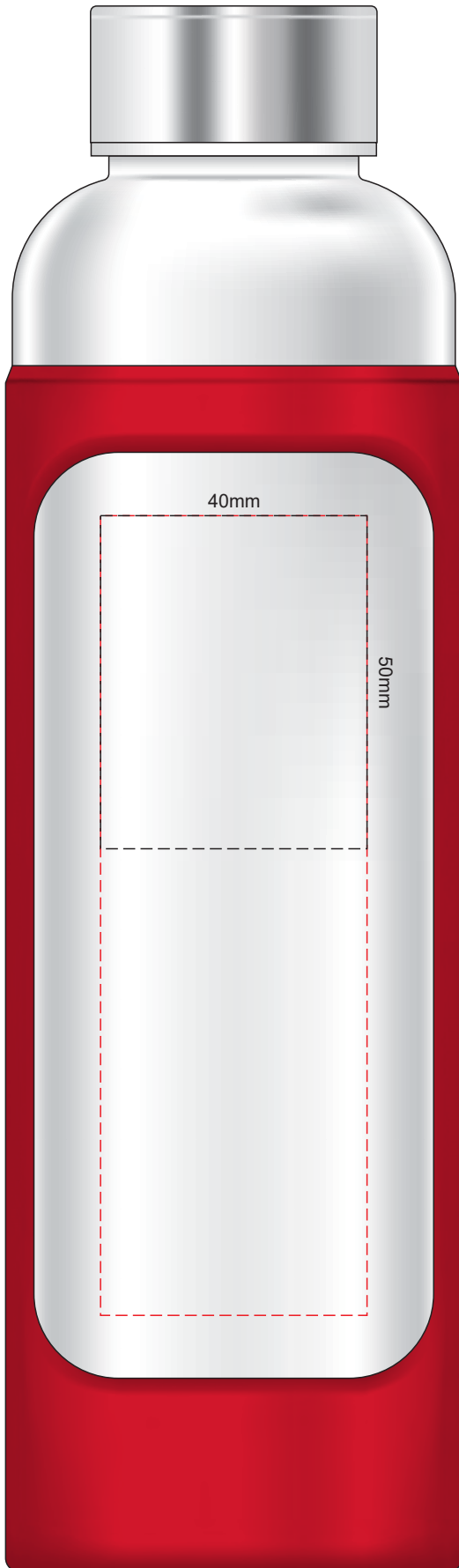
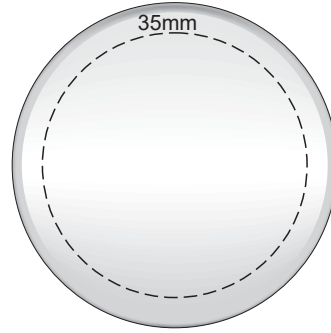


100% of Actual Size
Pad Print



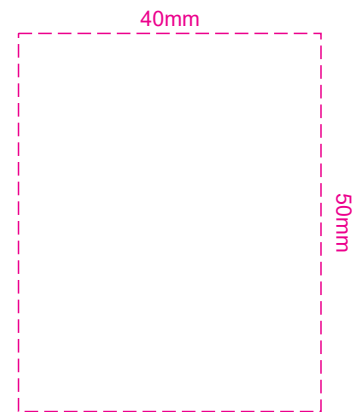
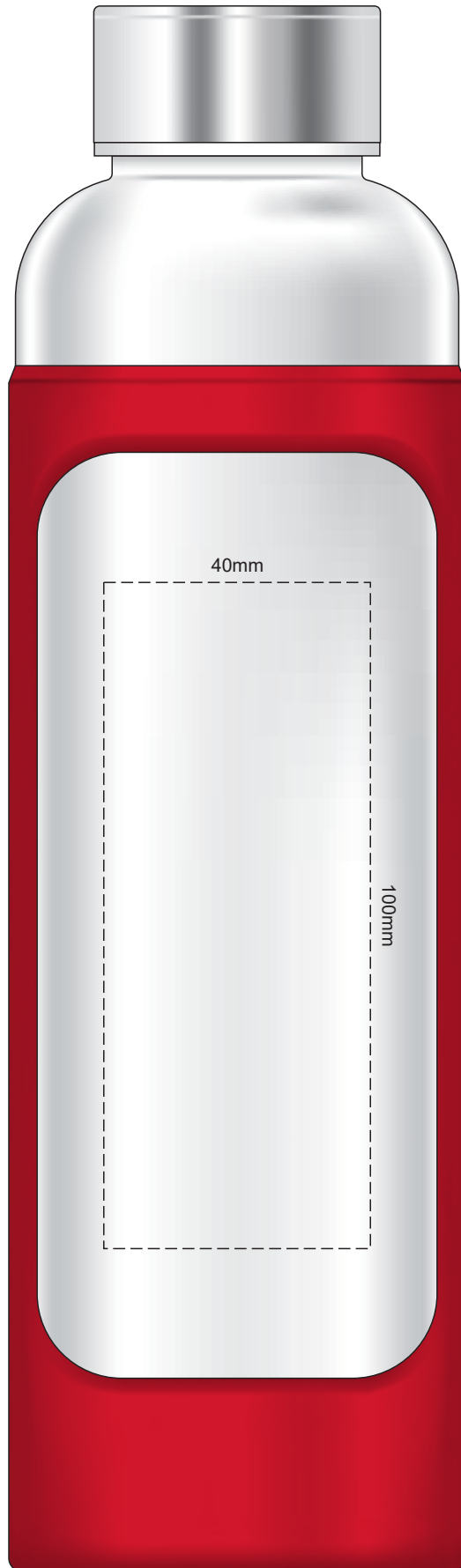
100% of Actual Size
Engraving



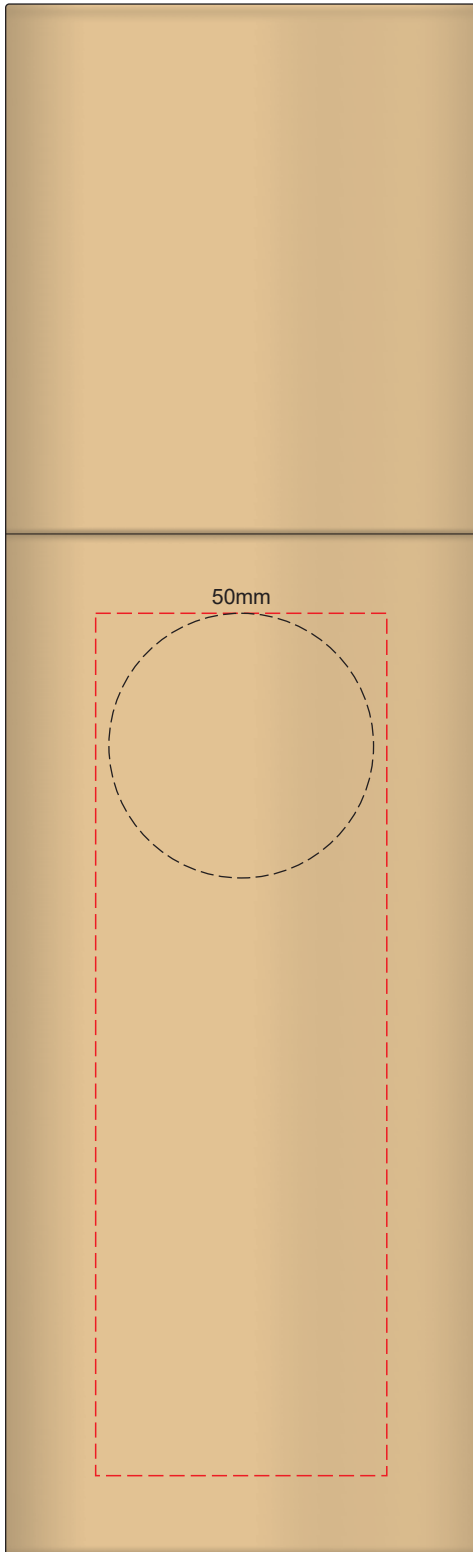
Engraves to
Stainless Steel Finish

Branding area can be moved **anywhere** within the red line.

100% of Actual Size
Pad Print

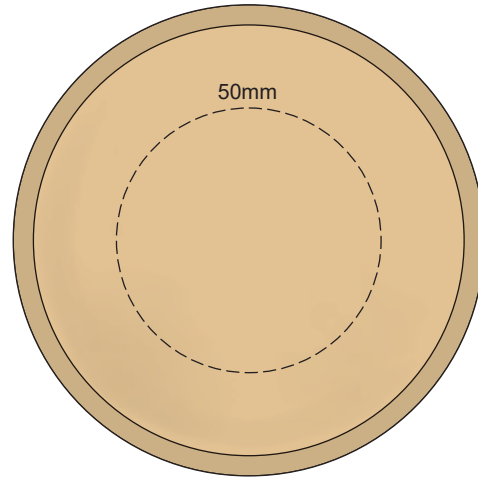


The larger special print area is only available on this item by breaking the artwork into multiple prints. Each individual print artwork must fit within 40mm x 50mm, each print can be positioned anywhere within the overall print area but should not be touching with other prints. Different print colours are available for each print. Each print is charged the normal print position rate plus setup.



70% of Actual Size
Pad Print (one colour)

Top of Tube



Branding area can be moved **anywhere within the red line.**