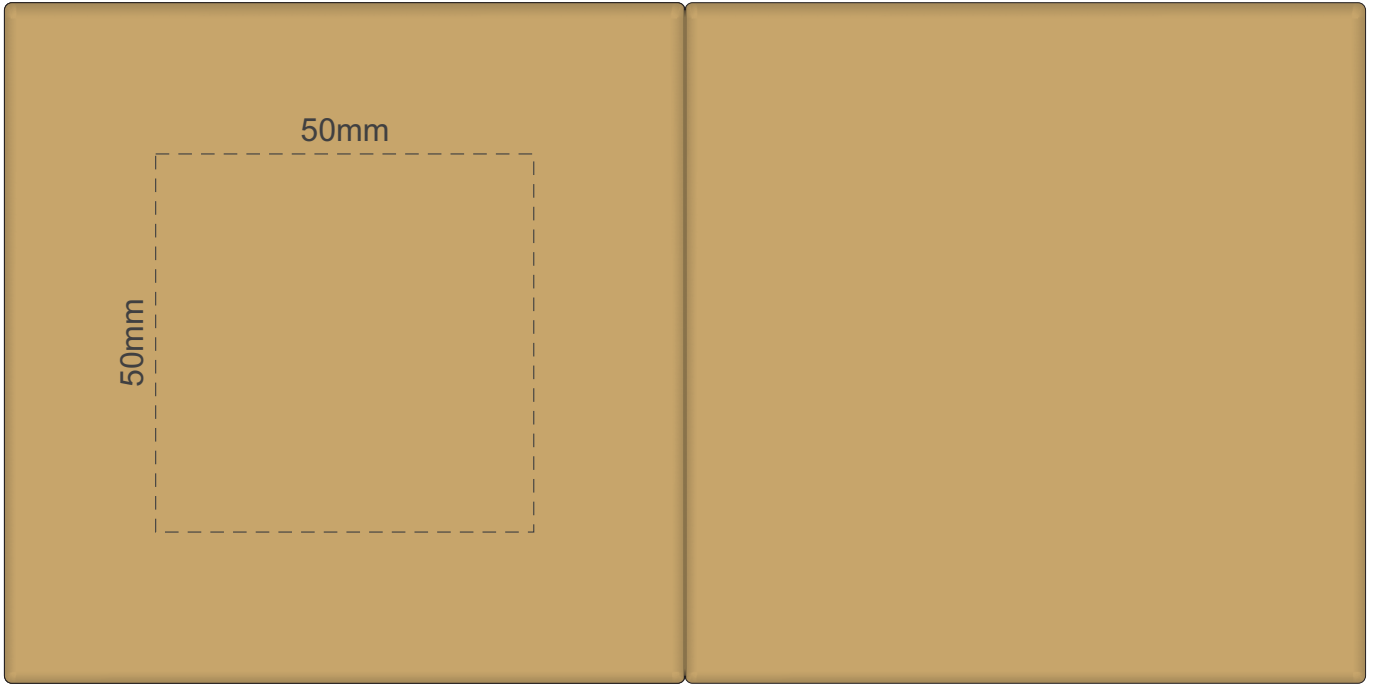
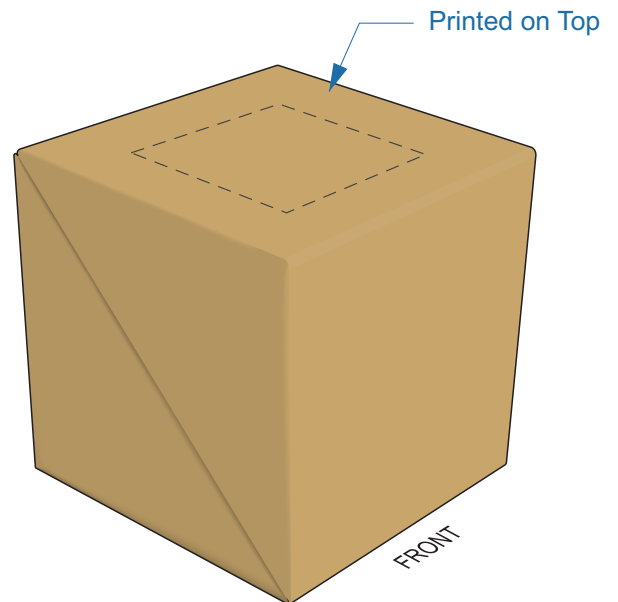




100% of Actual Size
Pad Print

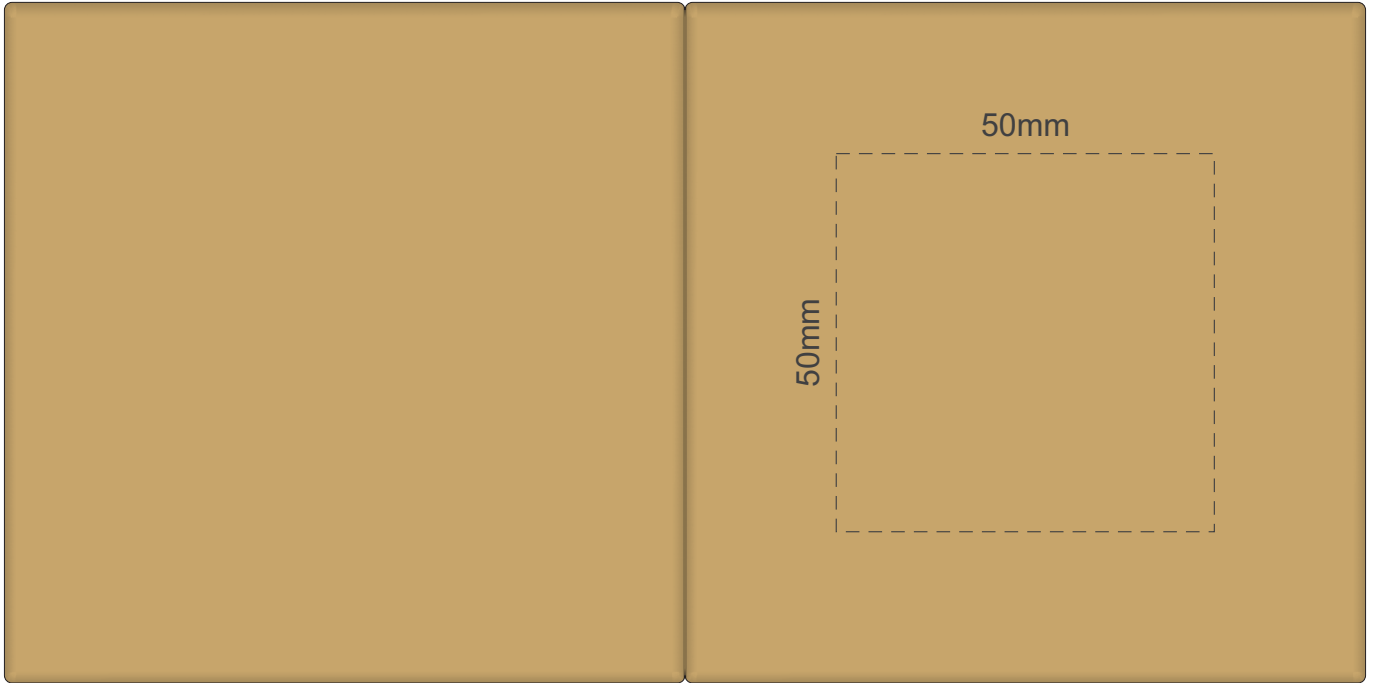


Viewed when cube is open





100% of Actual Size
Pad Print



Viewed when cube is open

