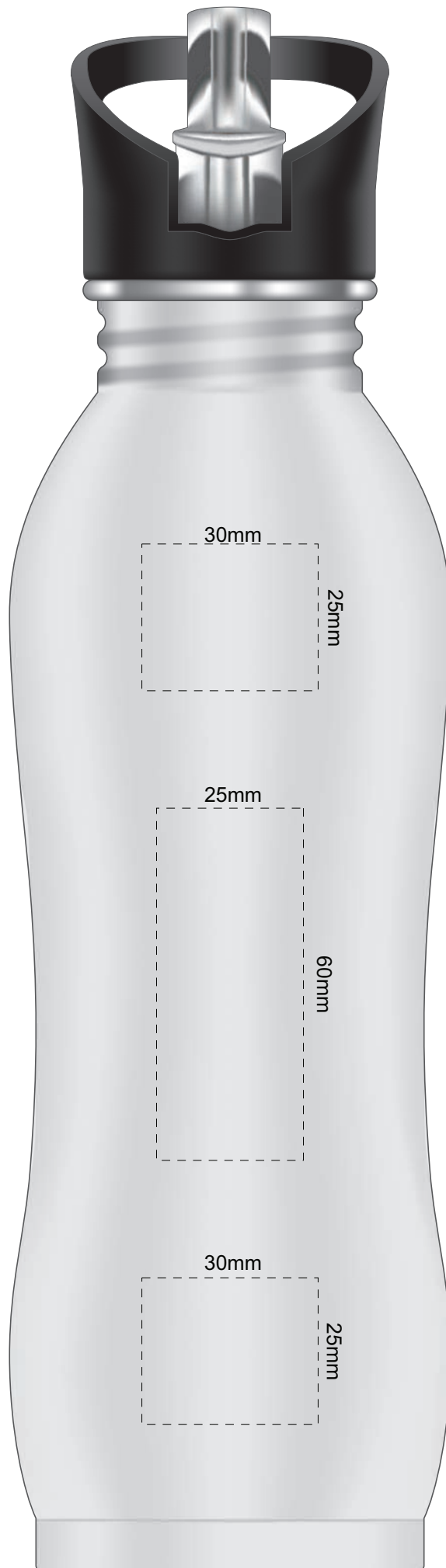
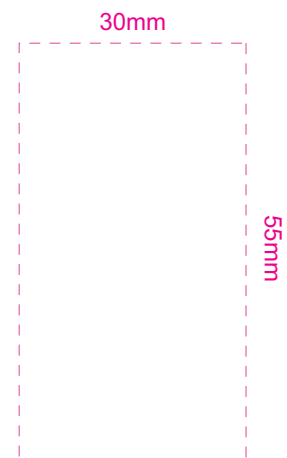
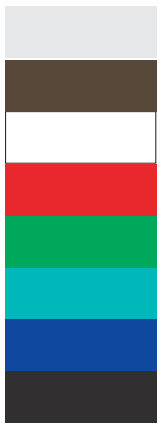


100% of Actual Size

Pad Print

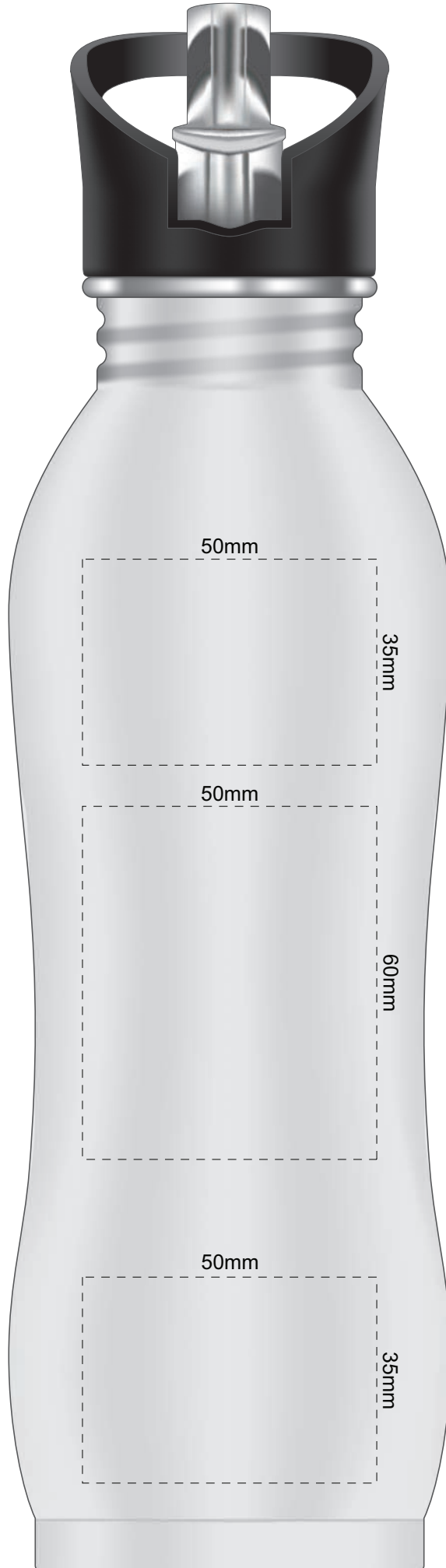


100% of Actual Size  
Pad Print



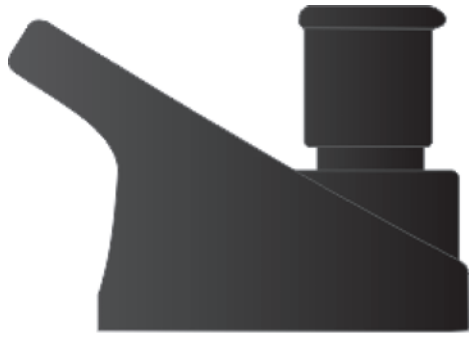
The larger special print area is only available on this item by breaking the artwork up into multiple prints. Each individual print artwork must fit within 55mm x 30mm, each print can be positioned anywhere within the overall print area but should not be touching with other prints. Different print colours are available for each print. Each print is charged the normal print position rate plus setup.

100% of Actual Size  
Engraving

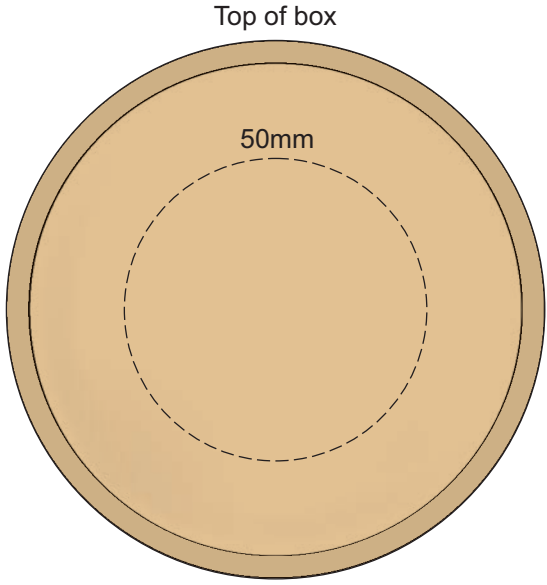
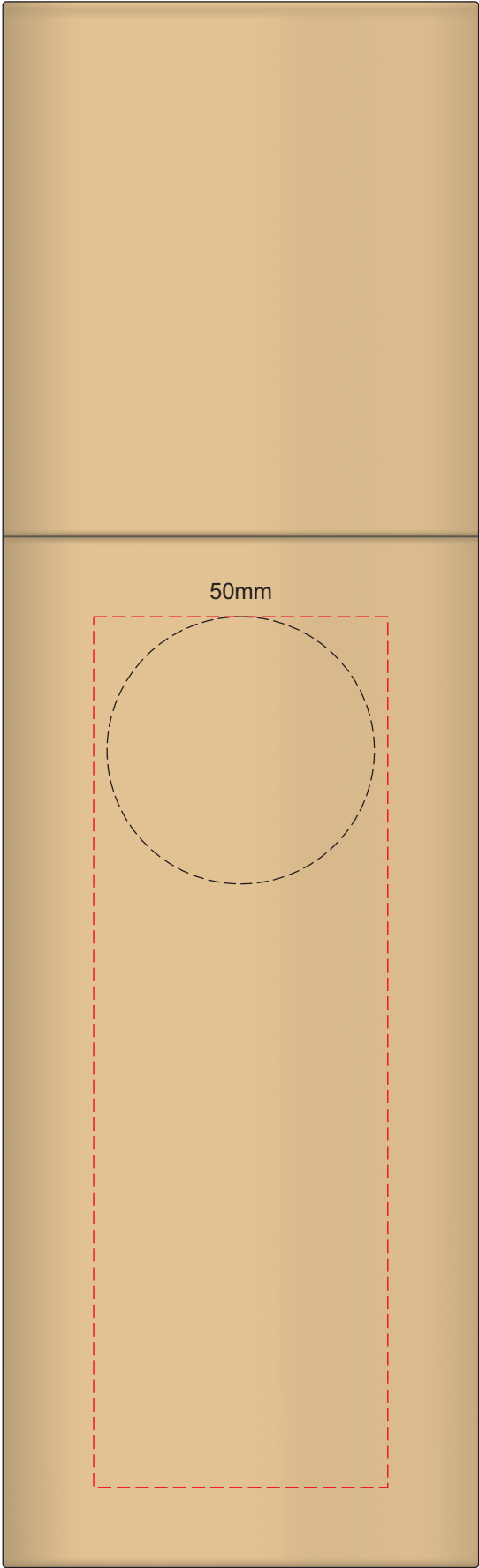


-  Silver Engraves to a Natural Etch
-  Colours Engraves to a Shiny Steel finish

Please be aware that artwork will adhere to the shape of the product. Therefore, linear shapes that utilise the full print area may appear skewed from the side perspective due to the tapered nature of the product.



80% of Actual Size  
Pad Print (one colour)



Branding area can be moved anywhere within the red line.